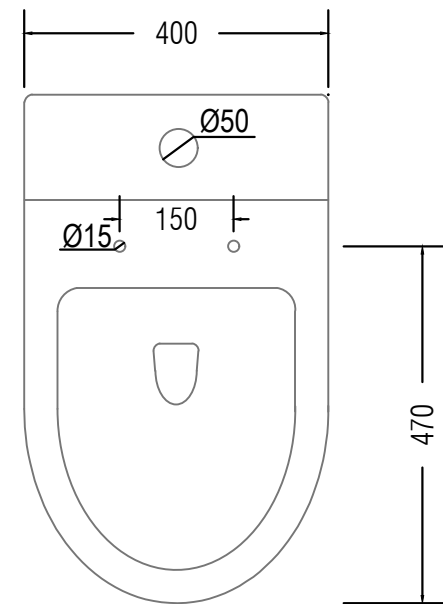


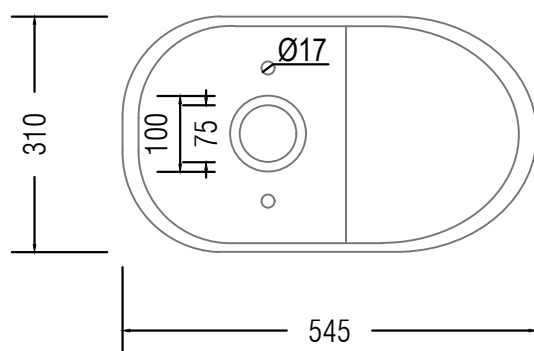
SIDE VIEW

SCALE 1:10



TOP VIEW

SCALE 1:10



SECTION VIEW

SCALE 1:10

## 2981 - KYOTO

Dimension : MM



Note : "This installation drawing is intended as a recommendation only.  
Please consult your local plumbing contractor for the best arrangement for your bathroom.  
The manufacturer and seller take no responsibility for how the unit is installed"